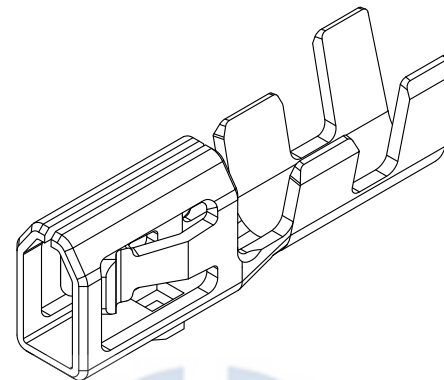
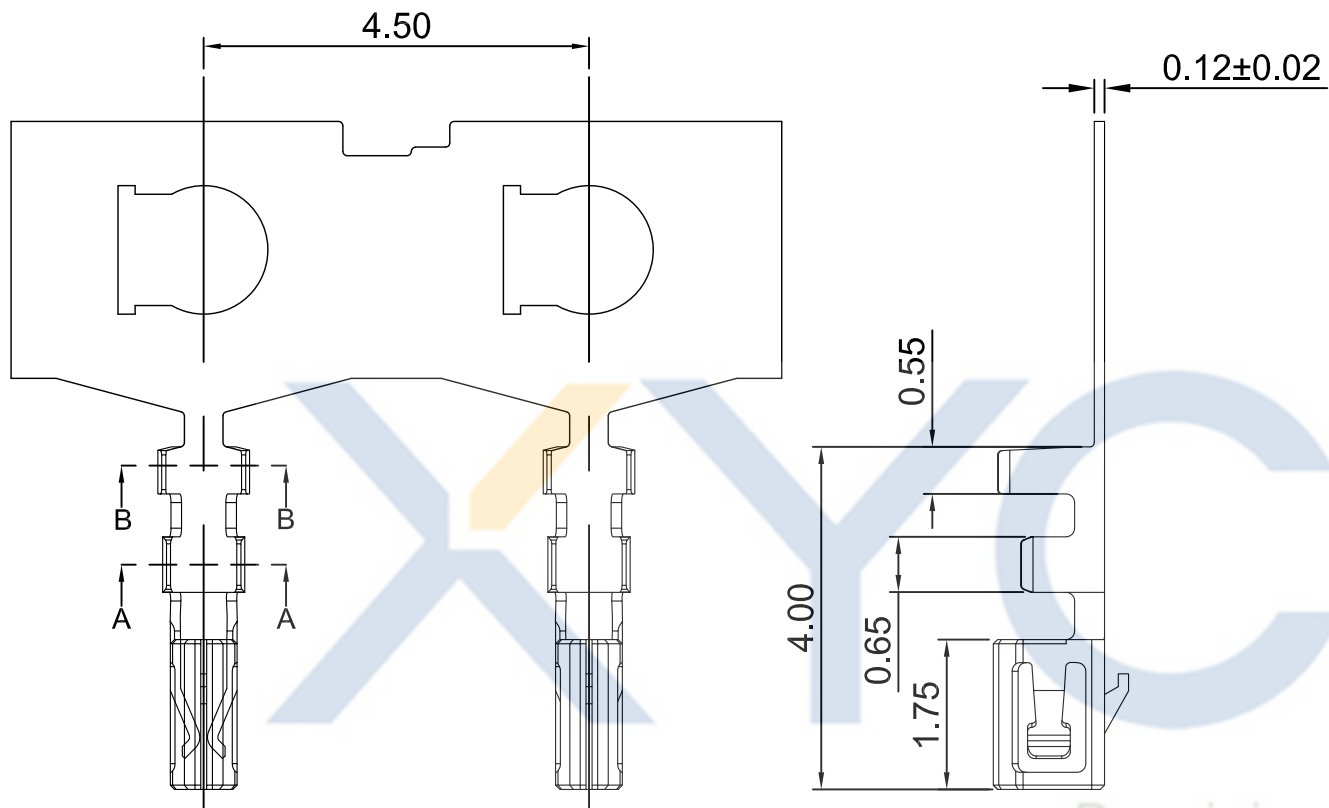


DRAWING FOR CUSTOMER



■SPEC.:

- Rated Voltage:50V AC,DC
- Rated Current:1A AC,DC
- Withstand Voltage:250V AC/minute
- Contact Resistance:20mΩ max
- Insulation Resistance:100MΩ min
- Temperature Range:-25℃~+85℃

■Terminal:

- Material:Phosphor Bronze
- Applicable wire:AWG#28~32
- QTY.:15KPCS/Reel

KB9907-XXXT1A

- 1:All plated
- 2:Half plated

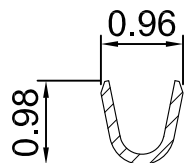
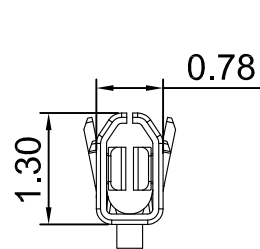
Plating

- 0: Tin-plat
- 1: Gold Plat1u"
- 2: Gold Plat3u"
- 3: Gold Plat5u"

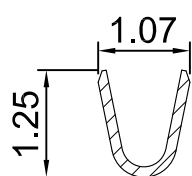
Version

Mold No.

Terminal



Section:A-A



Section:B-B

XYCO 东莞市轩业电子科技有限公司
 TEL: 0769-8297 9981/2/3 <http://www.XYCO.com.cn>

DATE 日期	VER 版本	CHANGE HISTORY 變更歷史	CHANGED NAME 修改後料號	DRAWING 變更者	TOLERANCE 公差 .X=±0.30 .XX=±0.20 .XXX=±0.10	DRAWING 設計者 CHECKED 審查 APPROVED 核准	Devin Thomas William	KB9907-XXXT1A
2017-09-15	A		KB9907-XXXT1A	Devin				PART NO. 料號
								DWG NO. 圖號
								PE1712003A

UNIT 單位	mm	PRODUCT NAME 產品名稱	501193 PH1.00mm Wire To Board Terminal
------------	----	----------------------	--