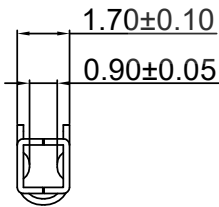
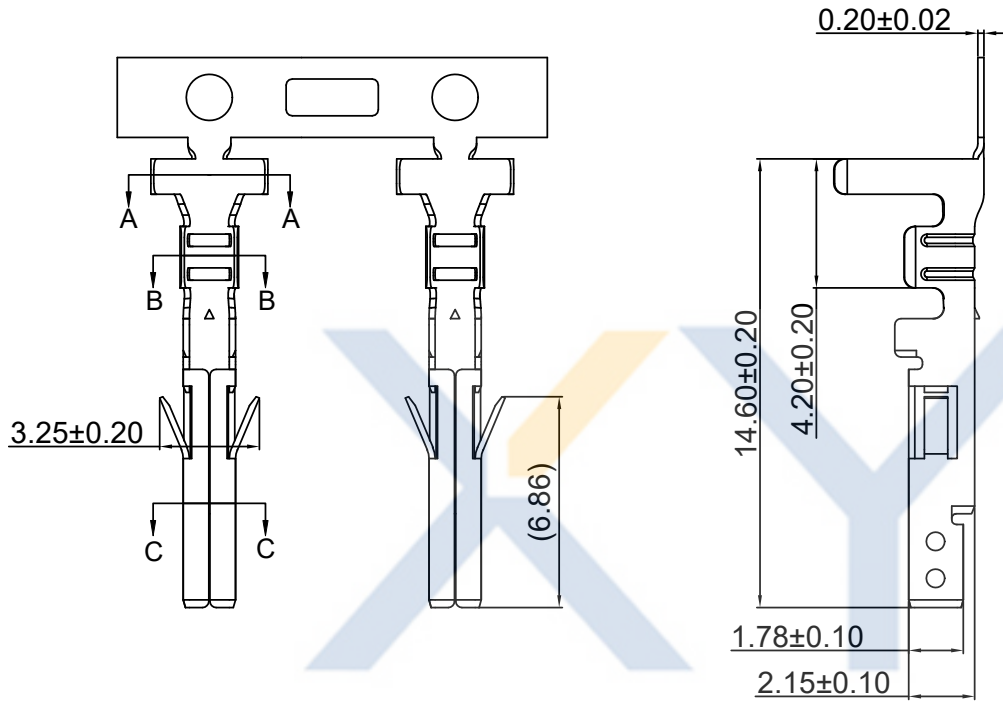
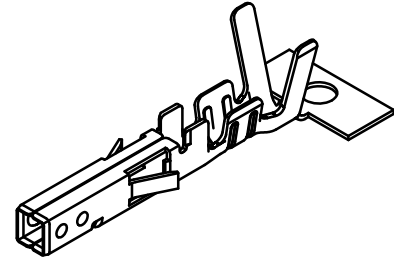
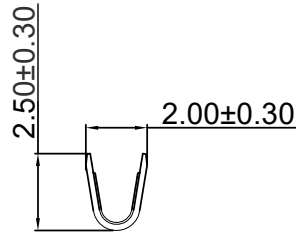


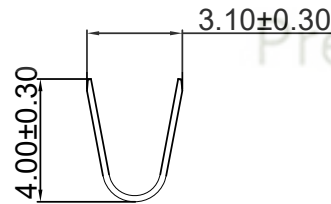
DRAWING FOR CUSTOMER



Section:C-C



Section:B-B



Section:A-A

- SPEC.:
- Rated Voltage:250V AC,DC
 - Rated Current:7A AC,DC
 - Withstand Voltage:1500V AC/minute
 - Insulation Resistance:1000MΩ min
 - Contant Resistance:15mΩ Max.
 - Temperature Range:-25°C~+85°C

- Terminal:
- Material:T-Brass,TP-Phosphor Bronze
 - Finish: Tin-plated,over Nickel
 - Applicable wire:AWG#18~22
 - QTY.:4KPCS/Reel

KB970-XXTC5A

1:All plated
2:Half plated

Plating

- 0: Tin-plat
- 1: Gold Flash
- 2: Gold Plat3u"
- 3: Gold Plat5u"
- 8: Gold Plat8u"

Version

Mold No.

- A:Low Foot
- B:High Foot
- C:Middle Foot

Terminal(Brass)

XYCO 东莞市轩业电子科技有限公司
TEL: 0769-8297 9981/2/3 <http://www.XYCO.com.cn>

					TOLERANCE 公差	DRAWING 设计者	Devin	KB970-XXTC5A			
2013-07-30	A	CHANGE HISTORY 变更历史	KB970-XXTC5A	Devin	.X=±0.30	CHECKED 审查	Thomas	PART NO. 料号			
DATE 日期	VER 版本				.XX=±0.20	APPROVED 核准	William	DWG NO. 图号	PE191210A	UNIT 单位	mm
					.XXX=±0.10					PRODUCT NAME 产品名称	5557 PH4.2mm Middle Foot Terminal-Female