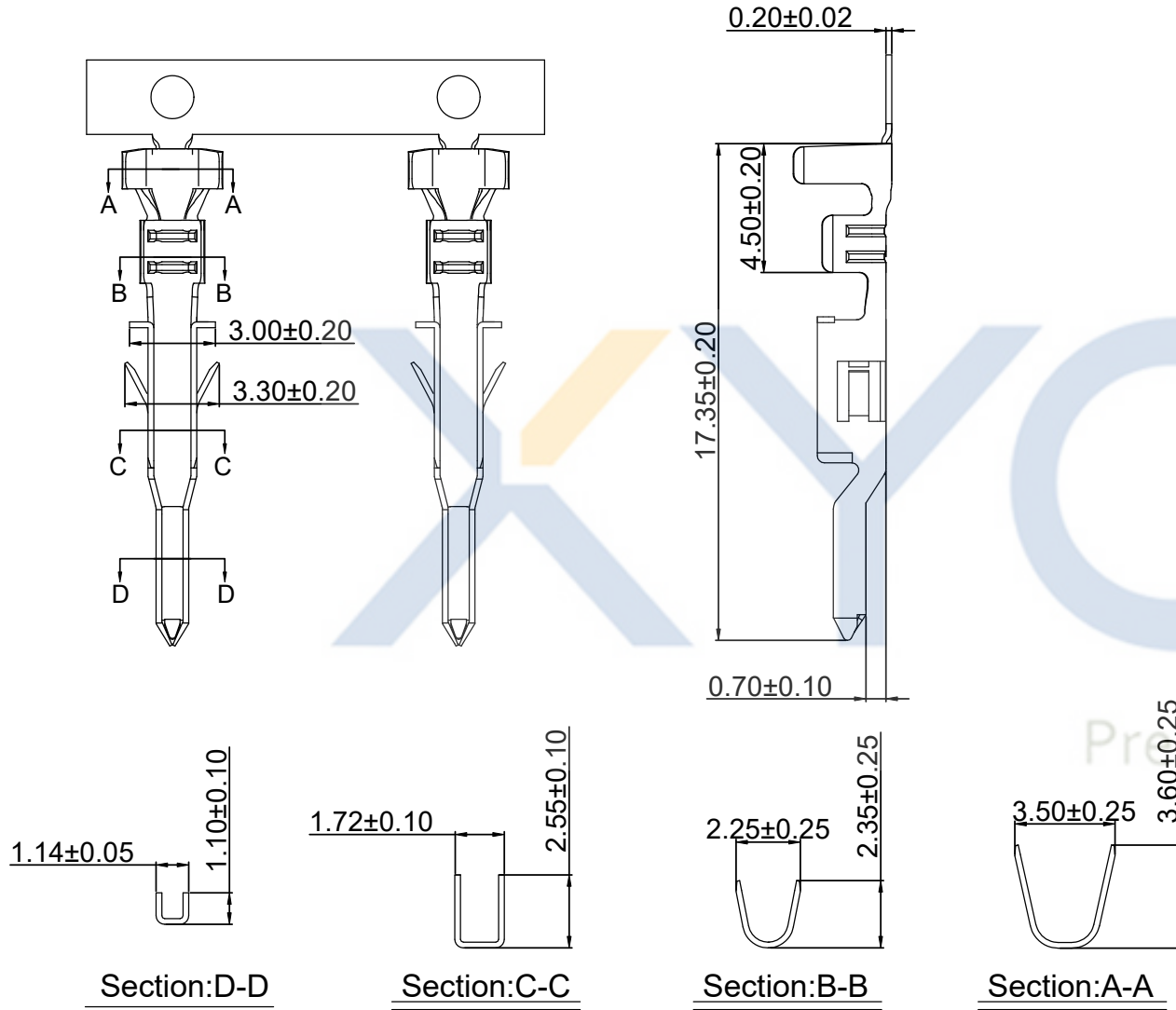
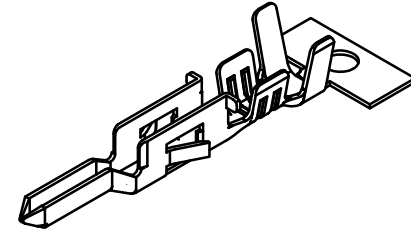


DRAWING FOR CUSTOMER



- SPEC.:
- Rated Voltage: 250V AC, DC
 - Rated Current: 7A AC, DC
 - Withstand Voltage: 1500V AC/minute
 - Insulation Resistance: 1000MΩ min
 - Contact Resistance: 15mΩ Max.
 - Temperature Range: -25°C ~ +85°C

- Terminal:
- Material: T-Brass, TP-Phosphor Bronze
 - Finish: Tin-plated, over Nickel
 - Applicable wire: AWG#18~22
 - QTY.: 6KPCS/Reel

KB971-XXTC5A

- 1: All plated
2: Half plated

Plating

- 0: Tin-plat
1: Gold Flash
2: Gold Plat3u"
3: Gold Plat5u"
8: Gold Plat8u"

Version

Mold No.

- A: Low Foot
B: High Foot
C: Middle Foot

Terminal (Brass)

XYCO 东莞市轩业电子科技有限公司
TEL: 0769-8297 9981/2/3 <http://www.XYCO.com.cn>

				TOLERANCE 公差	DRAWING 设计者	Devin	KB971-XXTC5A	
2013-07-30	A	CHANGE HISTORY 变更历史	CHANGED NAME 修改后料号	DRAWING 变更者	CHECKED 审查	Thomas	PART NO. 料号	
DATE 日期	VER 版本						DWG NO. 图号	
							PE191216A	
				.X=±0.30 .XX=±0.20 .XXX=±0.10	APPROVED 核准		William	

UNIT 单位	mm	PRODUCT NAME 产品名称	5559 PH4.2mm Middle Foot Terminal-Female