

DRAWING FOR CUSTOMER

■SPEC.:

- Rated Voltage:250V AC,DC
- Rated Current:3A AC,DC
- Withstand Voltage:650V AC/minute
- Contact Resistance:30mΩ max
- Insulation Resistance:100MΩ min
- Temperature Range:-25℃~+85℃

■Material

- Insulator(A):P3-PA6T UL94V-0
Color:NAT-Natural,BK-Black
- Contact(B):Brass
Finish:Gold flash,over Nickel

KB930-XX X D V 3 A-P3- XX

Pin No.

包裝方式:

T:TUBE (管裝)

R:REEL (卷裝)

P: PE (袋裝)

S:SMT

D:DIP

Color

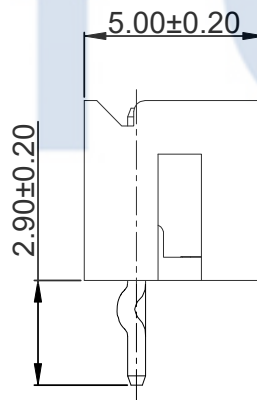
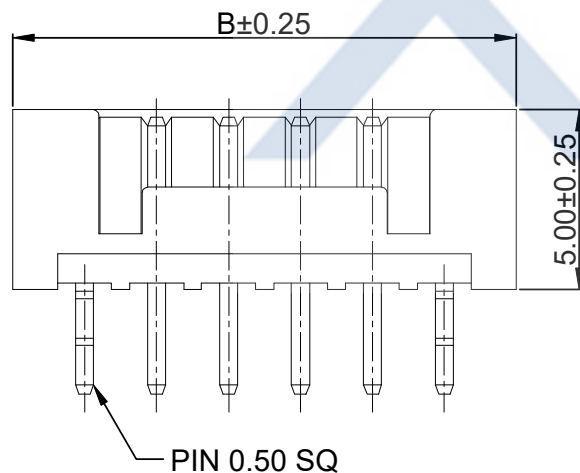
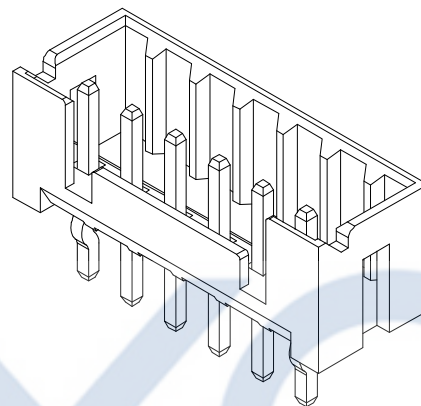
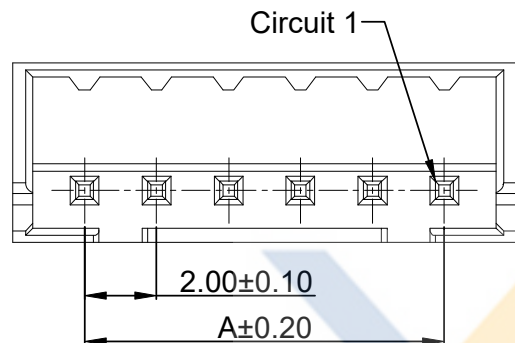
Material

Version

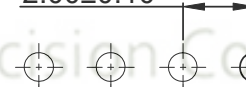
Mold No.

R:Right Angle

V:Vertical



2.00±0.10



SUGGESTED PCB LAYOUT
(COMPONENT SIDE)

Ø0.80^{+0.05}₀

Poles	Dimensions (mm)	
	A	B
02	2.00	6.00
03	4.00	8.00
04	6.00	10.00
05	8.00	12.00
06	10.00	14.00
07	12.00	16.00
08	14.00	18.00
09	16.00	20.00
10	18.00	22.00
11	20.00	24.00
12	22.00	26.00
13	24.00	28.00
14	26.00	30.00
15	28.00	32.00

XYCO 东莞市轩业电子科技有限公司
TEL: 0769-8297 9981/2/3 http://www.XYCO.com.cn

				TOLERANCE 公差		DRAWING 設計者		Devin		KB930-XXXDV3A-P3-XX	
2015-07-12		A		.X=±0.30 .XX=±0.20 .XXX=±0.10		CHECKED 審查		Thomas		PART NO. 料號	
DATE 日期		VER 版本		CHANGE HISTORY 變更歷史		APPROVED 核准		William		DWG NO. 圖號	
				KB930-XXXDV3A-P3-XX						PE150706A	

UNIT 單位	mm	PRODUCT NAME 產品名稱	DF3 PH2.00mm Wire To Board DIP Vertical Wafer
------------	----	----------------------	--