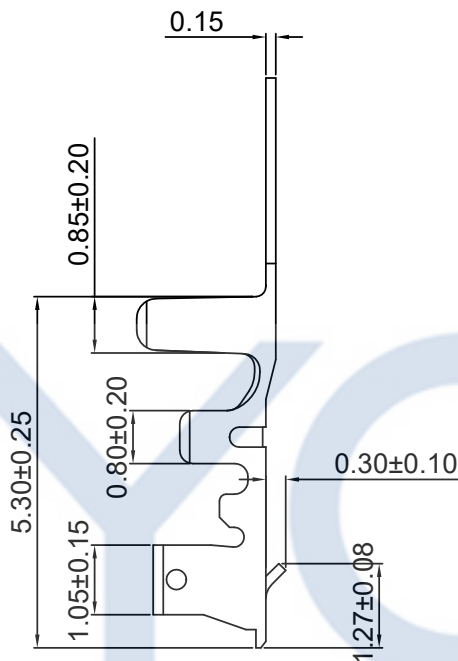
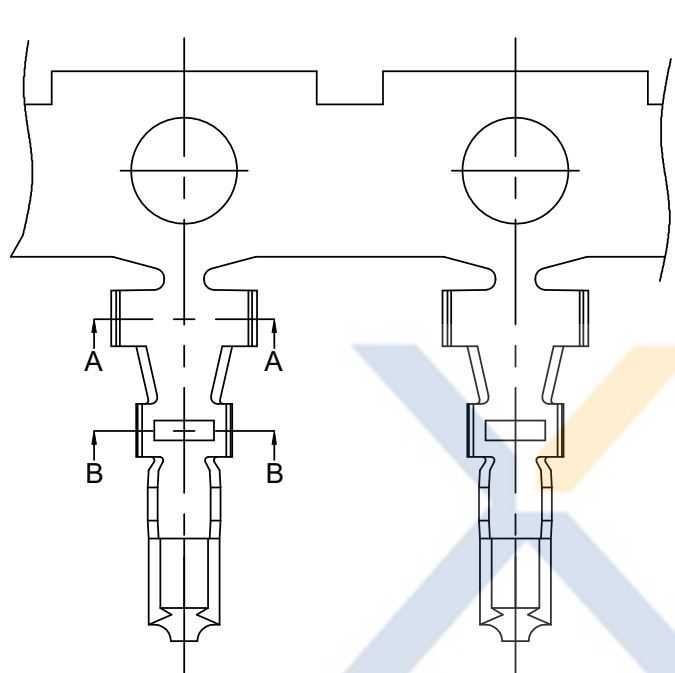


# DRAWING FOR CUSTOMER



■SPEC.:

- Rated Voltage:250V AC,DC
- Rated Current:1.5A AC,DC
- Withstand Voltage:500V AC/minute
- Contact Resistance:20mΩ max
- Insulation Resistance:1000MΩ min
- Temperature Range:-25℃~+85℃

■Terminal:

- Material:Phosphor Bronze
- Finish:Tin-plated,over Nickel
- Applicable wire:AWG#24~28  
Insulation O.D:1.10mm Max
- QTY.:10KPCS/Reel

KB920-X X T 2 A

1:All plated  
2:Half plated

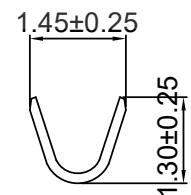
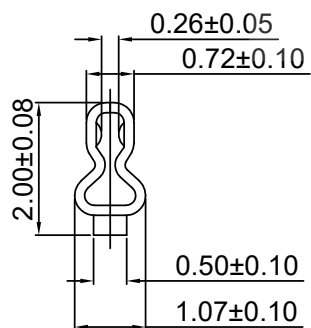
Plating

- 0: Tin-plat
- 1: Gold Flash
- 2: Gold Plat3u"
- 3: Gold Plat5u"

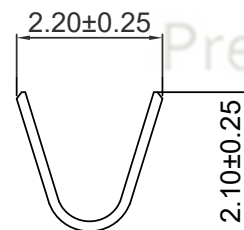
Version

Mold No.

Terminal



Section : B-B



Section:A-A

**XYCO** 东莞市轩业电子科技有限公司  
TEL: 0769-8297 9981/2/3 <http://www.XYCO.com.cn>

2013-09-13	A		KB920-XXT2A	Devin	TOLERANCE 公差	DRAWING 設計者	Devin	KB920-XXT2A	
DATE 日期	VER 版本	CHANGE HISTORY 變更歷史	CHANGED NAME 修改後料號	DRAWING 變更者	.X=±0.30 .XX=±0.20 .XXX=±0.10	CHECKED 審查	Thomas	PART NO. 料號	UNIT 單位
						APPROVED 核准	William	DWG NO. 圖號	mm
								PE1709003A	PRODUCT NAME 產品名稱
									87421 PH1.50mm Wire To Board Terminal

