

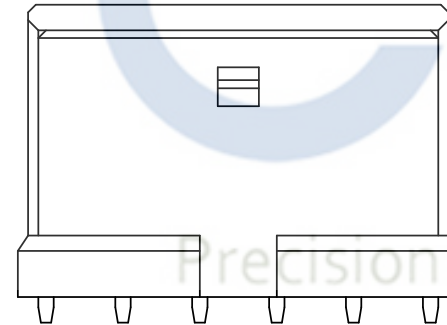
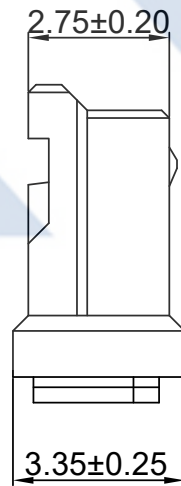
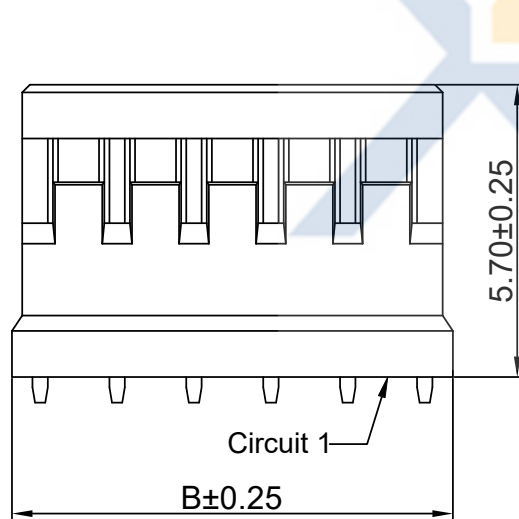
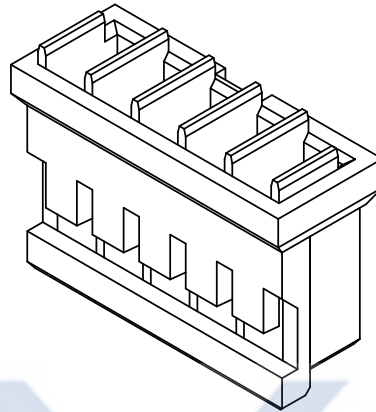
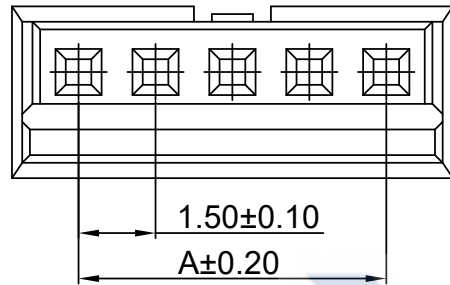
# DRAWING FOR CUSTOMER

- SPEC.:
- Rated Voltage:250V AC,DC
  - Rated Current:1.5A AC,DC
  - Withstand Voltage:500V AC/minute
  - Contact Resistance:20mΩ max
  - Insulation Resistance:1000MΩ min
  - Temperature Range:-25°C~+85°C

- Material:
- Insulator:Nylon66 UL94V-0
  - Color:White

KB920-XXH2A

Pin No.      Version  
Housing      Mold No.



Poles	Dimensions(mm)	
	A	B
02	1.50	4.10
03	3.00	5.60
04	4.50	7.10
05	6.00	8.60
06	7.50	10.10
07	9.00	11.60
08	10.50	13.10
09	12.00	14.60
10	13.50	16.10
11	15.00	17.60
12	16.50	19.10
13	18.00	20.60
14	19.50	22.10
15	21.00	23.60

**XYCO** 东莞市轩业电子科技有限公司  
TEL: 0769-8297 9981/2/3 http://www.XYCO.com.cn

2013-09-13	A		KB920-XXH2A	Devin	TOLERANCE 公差	DRAWING 設計者	Devin	KB920-XXH2A	
DATE 日期	VER 版本	CHANGE HISTORY 變更歷史	CHANGED NAME 修改後料號	DRAWING 變更者	.X=±0.30 .XX=±0.20 .XXX=±0.10	CHECKED 審查	Thomas	PART NO. 料號	UNIT 單位
						APPROVED 核准	William	DWG NO. 圖號	mm
								PE1709002A	PRODUCT NAME 產品名稱

87439 PH1.50mm Wire To Board Housing	
--------------------------------------	--